

COMPLETE THIS FORM TO INITIATE SUPPLIER SCOUTING

MEPNN Supplier Scouting Opportunity Synopsis

*The submitting entity (MEP Center, requesting company, federal/state agency, other) agrees to notify NIST MEP of the status of actions taken as a result of this scouting instance within 30 days after receiving a results report. Notification should be via email to scouting@nist.gov, indicating the following:

- Contact with matches identified in report complete and supply contract awarded, process complete
- Contact with matches identified in report complete and no supply contract awarded, process complete
- Contact with matches identified in report complete and supply negotiations underway, process in progress
- Contact with matches identified in report underway; supply negotiations not yet begun; process in progress
- Contact with matches identified in report not yet begun, process in progress
- Contact with matches identified in report will not occur within the next 6-months, process complete

LED decorative ceiling fixture

Item to be Scouted

_____ days

Opportunities will be posted for 30 days unless specified

Please describe the item application/ the end use of item.* Provide the item number if applicable: (N95 Mask vs Protective Mask).

LED decorative ceiling fixture in the entry of each hotel guest room. Lighting Ceiling Fixture for project AHTV Hotel

2021-007

Supplier Scouting Number (NIST MEP use)

Scouting customer/product NAICS Code, if known

TECHNICAL INFORMATION:	1. Supplier Information	a. Type of supplier being sought*
		<input type="checkbox"/> Manufacturer <input type="checkbox"/> Contract Manufacturer <input type="checkbox"/> Distributor <input type="checkbox"/> Other _____
	2. Summary of Technical Specifications and Performance Requirements:	b. Reason for scouting submission*
		<input type="checkbox"/> 2nd Supplier <input type="checkbox"/> Price <input checked="" type="checkbox"/> Re-shore <input type="checkbox"/> Past supplier no longer available <input type="checkbox"/> New Product Startup <input type="checkbox"/> Other _____
a. Describe the manufacturing processes (elaborate to provide as much detail as possible).*		
Metal forming. Metal cleaning and preparation for painting to prevent corrosion in indoor climate controlled application. Assembly of LED arrays to metal housings. Wiring to driver and then to electrical leads for standard 120V AC current. Secure frosted white acrylic diffusers to metal.		
b. Provide dimensions / size / tolerances / performance specifications for the item.*		
See attached drawing. 40" OAW x 23" OAD x 3.5" OAH. 3 x 13W LED arrays illuminate the edges of 1" square metal rectangles painted bronze with frosted white acrylic diffusers in front of the arrays. Arrays do not have to be dimmable despite drawing reference to dimming.		
c. List required materials needed to make the product, including materials of product components.*		

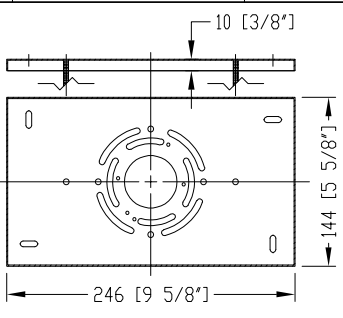
		<p>Steel, painted bronze. Finish chip to match will be provided. 3 x 13W LED arrays, 1000 lumens, 2700K color temperature, with driver. Frosted white acrylic strips. Ceiling Mounting bracket of galvanized steel punched for universal attachment to electrical junction box.</p>
<p style="writing-mode: vertical-rl; transform: rotate(180deg);">BUSINESS INFORMATION:</p>	<p style="writing-mode: vertical-rl; transform: rotate(180deg);">2. Summary of Technical Specifications and Requirements cont.</p>	<p>d. Are there applicable certification requirements?* <input checked="" type="checkbox"/> Yes <input type="checkbox"/> No Please explain</p>
		<p>Underwriters Laboratory (UL) or Eletrical Testing Lab (ETL) Listed.</p>
		<p>e. Are there applicable regulations?* <input type="checkbox"/> Yes <input checked="" type="checkbox"/> No Please explain</p>
		<p>f. Are there any other standards, requirements, etc.?* <input type="checkbox"/> Yes <input checked="" type="checkbox"/> No Please explain</p>
		<p>g. Additional Comments: Is there other information that would impact the item's performance or usefulness? Please explain.</p>
		<p>Company can provide a provide a sample of the fixture to supplier to understand construction.</p>
		<p>3a. Estimated potential business volume (i.e., # Units Per Day, Month, Year) *:</p>
<p style="writing-mode: vertical-rl; transform: rotate(180deg);">3. Volume and Pricing</p>		<p>Order quantity 170. This is a first order to qualify supplier. Remington supplies guest room and corridor lighting to upscale and midscale hotels across the US and the Caribbean. Some business is custom make to order and some standarized make to stock.</p>
		<p>b. Estimated target price / unit cost information (flexible and negotiable <u>not</u> accepted) *:</p> <p>\$120.00 each including packaging</p>
<p style="writing-mode: vertical-rl; transform: rotate(180deg);">4. Delivery Requirements:</p>		<p>a. When is it needed by? (Immediate, 30 Days, 6 months, etc.)*</p> <p>Pre-production sample within 30 days. Full production within 45 days.</p>
		<p>b. Describe packaging requirements (i.e., individually/group packaging)*</p> <p>Packed in cardboard carton with foam to secure the fixture from damage in transit and installation handling.</p>
		<p>c. Where will this item be shipped? *</p> <p>Ship to company, Mechanicsburg, PA 17055</p>
		<p>5. A</p> <p>Is there other information you would like to include?</p>

See attached drawing and photo

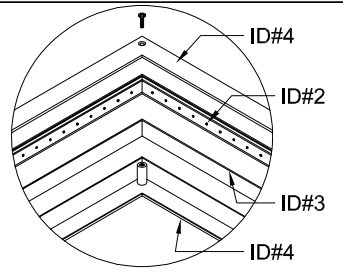
Photos or diagrams of the item (helpful but not required).

#	PART NAME	PART DESCRIPTION / FINISHES / SPECIFICATIONS
1	LED DRIVER	CONCEALED (120V)
2	LED ARRAY	THREE (3) 13W LED, 1000 LM, 2700K, DIMMABLE
3	DIFFUSER	FROSTED WHITE ACRYLIC (A32MF477.02)
4	BODY, BACKPLATE, FINIALS	PAINTED FINISH ON METAL TO MATCH DARK BRONZE PT-034 (M10MP677) WITH GLOSSY LACQUER
5	MOUNTING BRACKET	CUSTOM MOUNTING BRACKET WITH UNIVERSAL CUT-OUT TO ATTACH TO ELECTRICAL JUNCTION BOX
6	ELECTRICAL	HARDWIRE / HOTWIRE (120V)
7	WATTAGE LABEL	39W LED, 120V AC (IN BLACK TEXT WITH CLEAR BACKING)
8	UL / ETL LABEL	UL LISTED WITH C UL US LABEL OR ETL LISTED WITH C ETL US LABEL

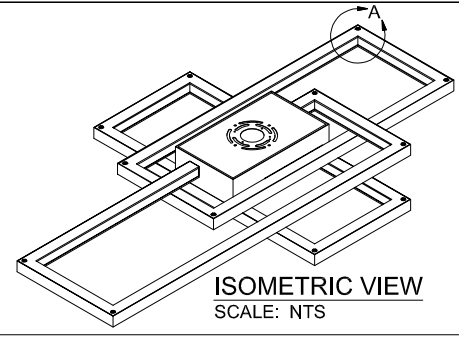
NOTES:
1.) BREAK AND DEBURR ALL SHARP EDGES.
2.) ALL DIMENSIONS ARE IN MILLIMETERS [INCHES].
3.) ALL VISIBLE SCREWS EXCEPT FOR THUMB SCREWS SHALL BE COUNTERSUNK AND FLUSH WITH SURROUNDING SURFACES.
 ©2021 REMILUX, LLC. ALL RIGHTS RESERVED. THE DRAWINGS HEREIN MAY NOT BE USED, REPRODUCED, STORED, OR TRANSMITTED IN WHOLE OR IN PART, IN ANY FORM OR BY ANY MEANS, ELECTRONIC, MECHANICAL, PHOTOCOPYING, OR OTHERWISE, WITHOUT REMILUX'S PRIOR WRITTEN CONSENT. ANY UNAUTHORIZED USE MAY CONSTITUTE COMMON LAW AND STATUTORY COPYRIGHT INFRINGEMENT IN VIOLATION OF THE U.S. COPYRIGHT ACT, AMONG OTHERS CAUSES OF ACTION.



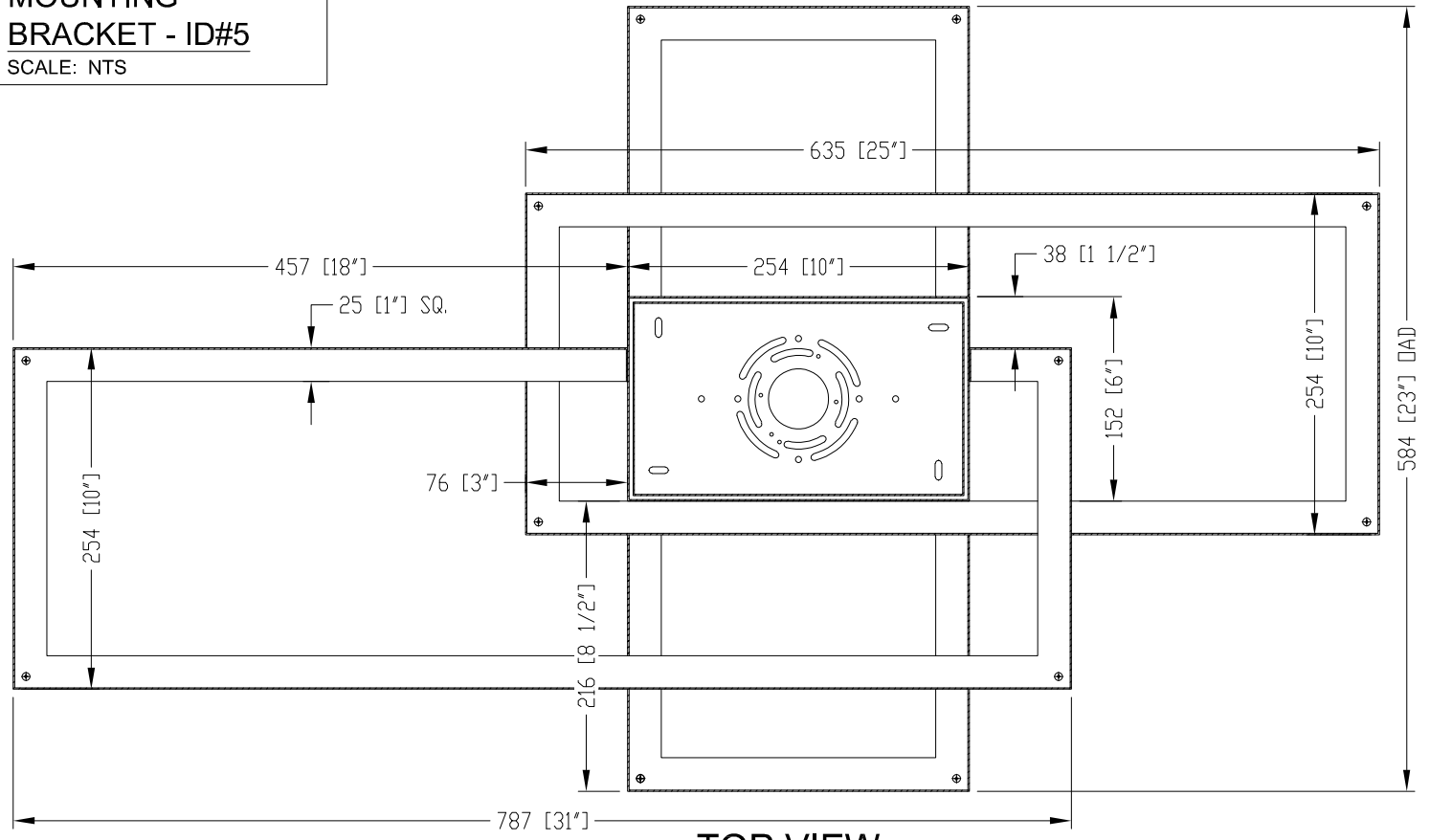
MOUNTING BRACKET - ID#5
SCALE: NTS



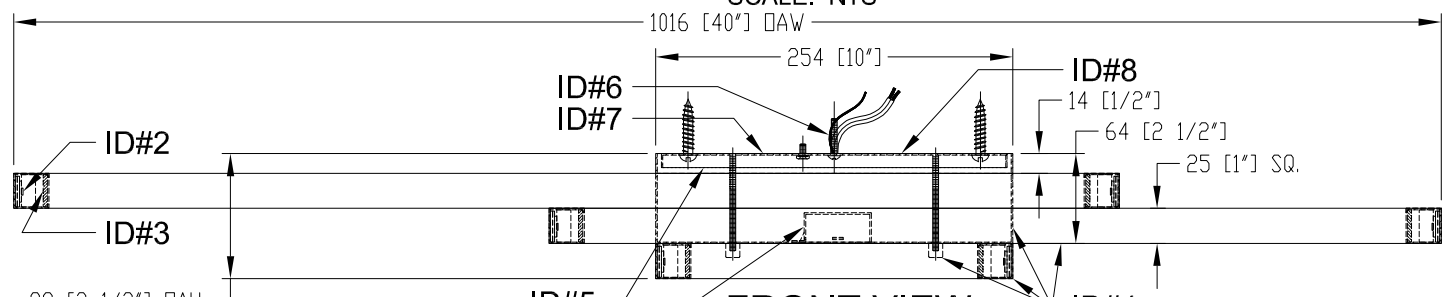
DETAIL A-A
SCALE: NTS



ISOMETRIC VIEW
SCALE: NTS



TOP VIEW
SCALE: NTS



FRONT VIEW
SCALE: NTS

REV	CHANGES:	DATE	STATUS	ITEM: DL-5206	PROJECT: AHTV
1	ID#4 FINISH	08/20/21	APPROVED FOR REFERENCE	FLUSH MOUNT CEILING FIXTURE	
2	ID#4 FINISH	08/26/21	AUTHOR	DATE	REV
			B. ALLEN	08/04/21	2
			PAGE	REM #	
			1 OF 1	14685	



