

ITEM OPPORTUNITY SYNOPSIS:

Screen Printed Sewn Bags

2021-094

Item to be Scouted

Supplier Scouting Number

NAICS Code, if known

TECHNICAL INFORMATION:	1. Describe the Item:	a. Please describe the item application/ the end use of item.	The product is a protective pouch used to carry instrumentation and supplies.
		b. Provide the item number if applicable: (N95 Mask vs Protective Mask).	SKC Part Number 50535
	2. Summary of Technical Specifications and Performance Requirements:	a. Provide dimensions / size / tolerances / performance specifications for the item.	See attached drawing.
		b. List required materials needed to make the product, including materials of product components, if applicable.	Nylon fabric, padding, velcro, plastic D-rings, adjustable shoulder strap.
		c. Are there applicable certification requirements to supply this item? (i.e. ISO certification) Are there any applicable regulations that apply to the production of this item? (i.e. FDA regulations or EPA regulations) Are there any other standard requirements? (i.e. ASME Standard, IEEE Standard) Please specify.	N/A
		d. Describe the manufacturing processes (elaborate to provide as much detail as possible).	Industrial sewing and screen printing.
		e. Additional Comments: Is there other information that would impact the item's performance or usefulness? Please explain.	

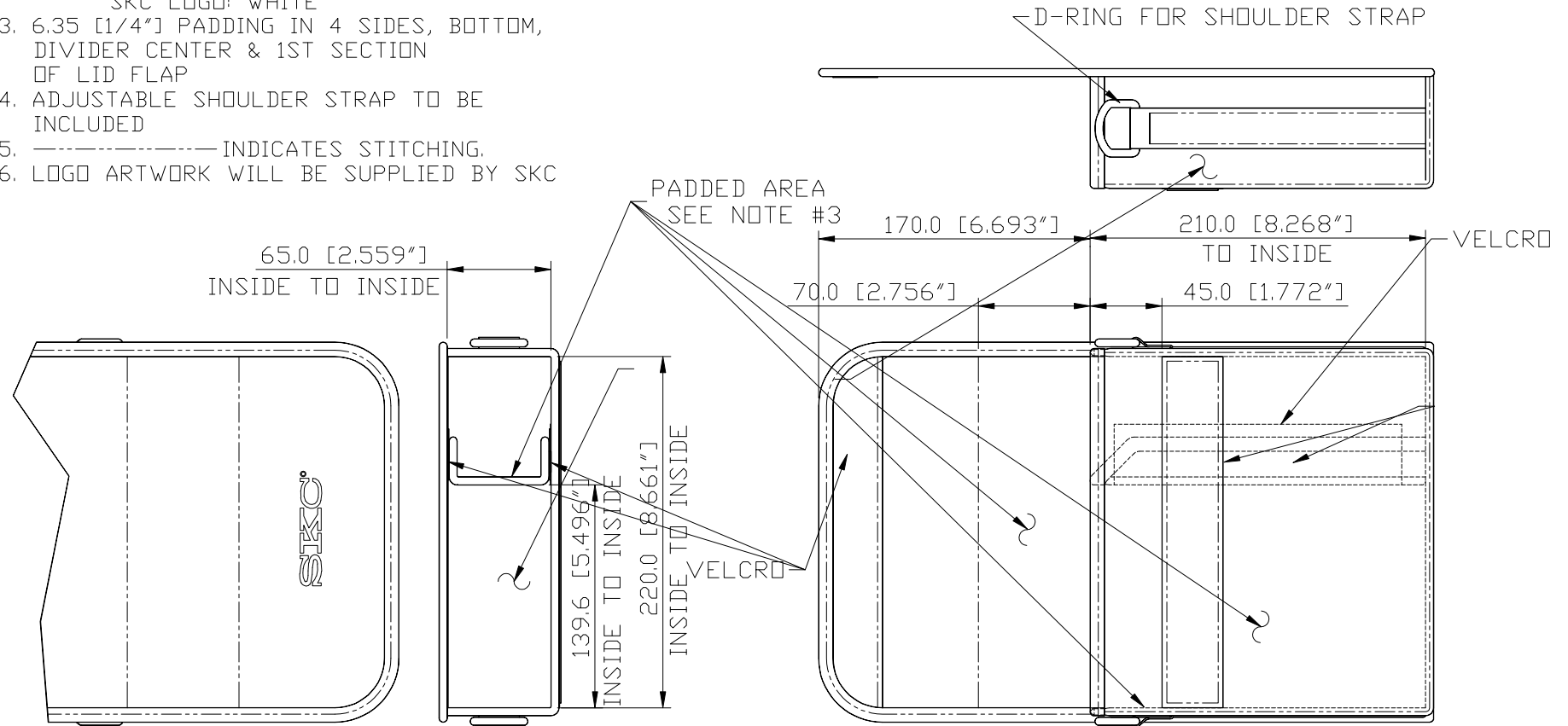
BUSINESS INFORMATION:		f. Potential Business Volume Estimate (i.e., # Units Per Day, Month, Year):
		700 units annually
		g. Target Price / Unit Cost Information:
		\$19.26 ea.
	3. Delivery Requirements:	a. When is it needed by? (Immediate, 30 Days, 6 months, etc.)
		Immediate
		b. Describe packaging requirements (i.e., individually/ group packaging).
Packed bulk.		
	c. Where is this opportunity located? Is there a preferred shipping proximity - if applicable?	
	Greater Pittsburgh, PA area.	
4. Additional Comments:	a. Opportunities will be posted for 30 days unless another timeframe is given below	
	_____ days	
	b. Is there other information you would like to include?	
	See included drawing.	

Photos or diagrams of the item (helpful but not required).



NOTE:


1. MATERIAL: NYLON
2. COLOR: PANELS: BLACK
TRIM: BLACK
SKC LOGO: WHITE
3. 6.35 [1/4"] PADDING IN 4 SIDES, BOTTOM, DIVIDER CENTER & 1ST SECTION OF LID FLAP
4. ADJUSTABLE SHOULDER STRAP TO BE INCLUDED
5. ----- INDICATES STITCHING.
6. LOGO ARTWORK WILL BE SUPPLIED BY SKC



REVISIONS				
REV NO	BY	DATE	DESCRIPTION	APPV'D

AUTHORIZATION		
DRAWN	SH	6AUG03
CHECKED		
APPV'D		
DIMENSIONS ARE IN INCHES [MILIMETERS] TOLERANCES ARE STANDARD COMERCIAL		
FRACTIONS	ANGLES	DEC
±	+	± 3.0MM

DRAWING MAY NOT BE TO SCALE



863 VALLEY VIEW RD.
EIGHTY FOUR, PA 15330
U.S.A.

TITLE
POUCH
SINGLE KITS
IDENTIFICATION NO.
50535

PLOT SCALE 1:4 | SHT 1 OF 1

THIS INFORMATION IS CONFIDENTIAL AND PROPRIETARY TO SKC INC. AND MAY NOT BE REPRODUCED IN ANY FORM OR TRANSMITTED IN WHOLE OR PART WITHOUT PRIOR WRITTEN AUTHORIZATION OF SKC INC.

RELEASED – EFFECTIVE